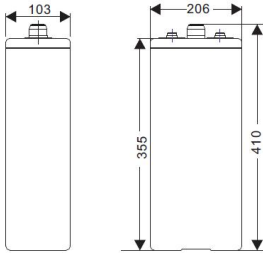
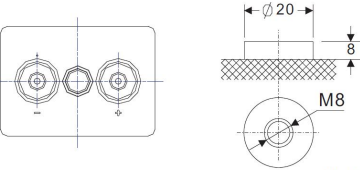


PHYSICAL SPECIFICATION

Nominal Voltage		2V	
Nominal Capacity (10HR)		150Ah	
Dimension	Length	103±2mm	(4.05 inches)
	Width	206±2mm	(8.11 inches)
	Container Height	355±2mm	(13.98 inches)
	Total Height	410±2mm	(16.14 inches)
Weight		Approx. 15.5 Kg (34.2lbs)	
Standard Terminal		Bolt-and-nuts terminal Bolt Type: M8	

Unit: mm



ELECTRICAL SPECIFICATION

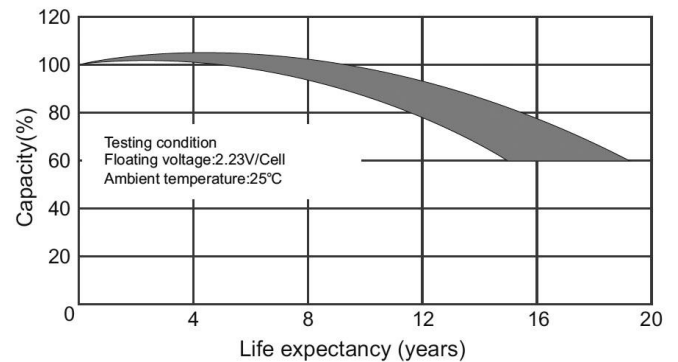
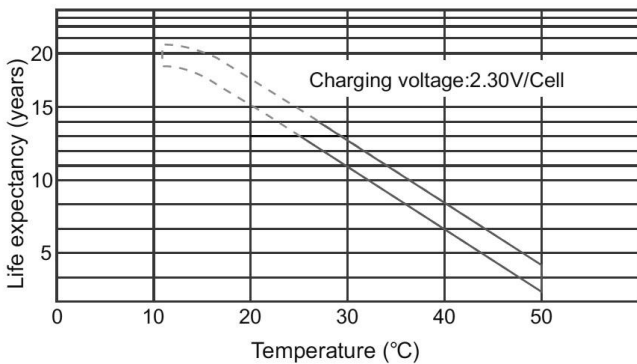
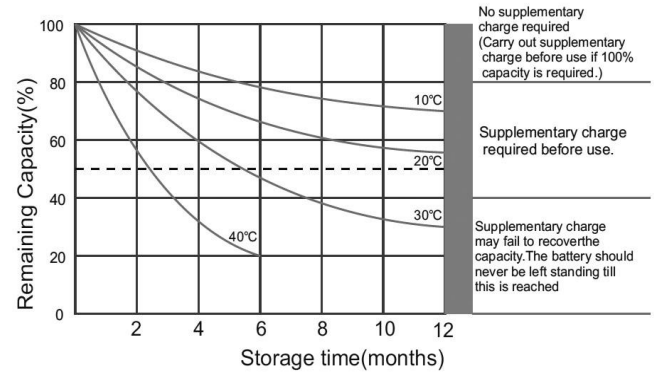
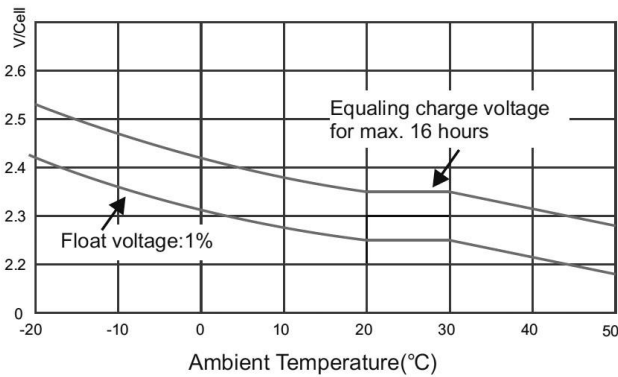
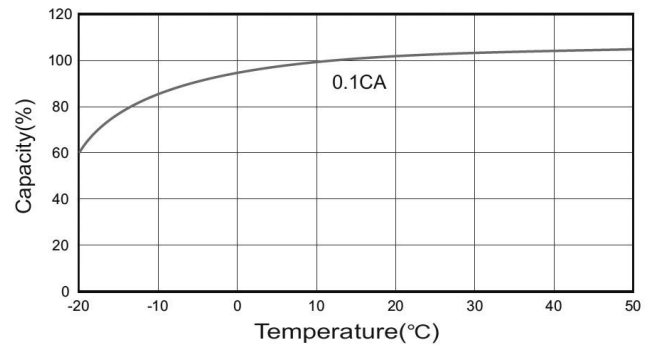
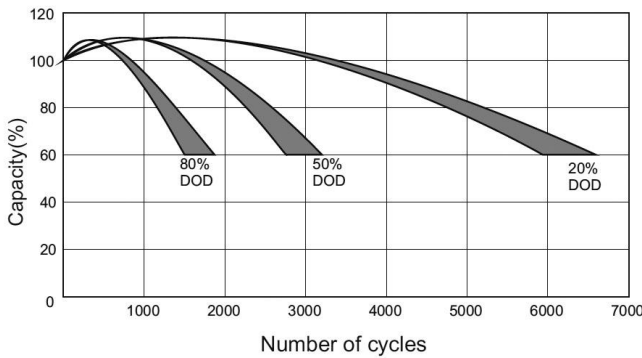
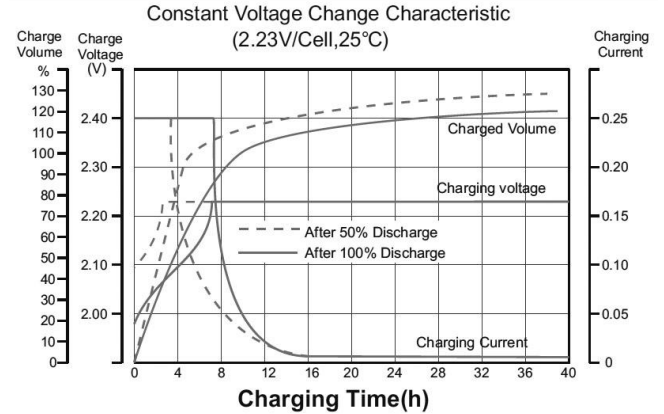
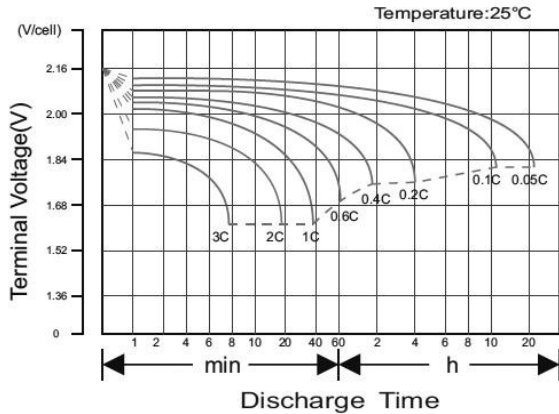
Characteristics			Main Advantages
Capacity	20 hour rate (9.30A to 1.80V/cell) 10 hour rate (15.07A to 1.80V/cell) 5 hour rate (25.5A to 1.75V/cell) 1 hour rate (86.2A to 1.60V/cell)	186.0Ah 150.7Ah 127.5Ah 86.2Ah	>> adopt tubular positive plate >> longest lifespan under deep discharge >> Strong temperature resistance performance >> Better charge reception capability >> 20 years design life
Operating Temp. Range	Discharge : -20°C~55°C Charge : -10°C~45°C Storage : -15°C~45°C		
Max. Discharge Current	750A(5sec)		
Short Circuit Current	1650A		
Designed life	20 years (floating) at 25°C (77 °F)		
Internal Resistance	Full charged battery (25°C, 77 °F) 1.2mΩ		
Constant Voltage Charge	Cycle	Initial Charging Current less than :≤37.5A Voltage: 2.35~2.40V at 25°C (77 °F) Temperature Coefficient -5mV/°C	
	Standby	No limit on Initial Charging Current Voltage: 2.23V at 25°C (77 °F) Temperature Coefficient -3mV/°C	

CONSTANT CURRENT DISCHARGE RATING A@25°C

F.V/TIME	30min	1h	2h	3h	4h	5h	8h	10h	24h
1.60V	126.7	86.2	54.7	39.0	30.7	27.0	19.12	15.90	7.08
1.65V	122.2	84.7	53.2	38.2	30.5	26.4	18.97	15.82	7.05
1.70V	117.0	81.7	51.7	37.5	30.2	26.2	18.75	15.75	7.01
1.75V	112.5	79.5	50.2	36.7	30.0	25.5	18.45	15.52	6.88
1.80V	102.7	75.5	48.7	36.0	29.2	24.7	17.92	15.07	6.72
1.85V	91.5	70.5	45.7	35.2	28.5	24.0	17.47	14.85	6.51

CONSTANT POWER DISCHARGE RATING WATT PER CELL@25°C

F.V/TIME	30min	1h	2h	3h	4h	5h	8h	10h	24h
1.60V	230.2	159.7	99.7	72.0	57.7	49.5	35.55	29.55	13.21
1.65V	225.0	156.0	97.5	71.2	57.0	48.7	35.25	29.47	13.18
1.70V	216.0	151.5	95.2	69.7	56.2	48.3	34.80	29.32	13.03
1.75V	208.5	147.7	93.7	69.0	55.5	48.0	34.35	29.02	12.93
1.80V	192.7	142.5	91.5	68.2	54.7	47.2	34.05	28.50	12.76
1.85V	174.0	133.5	87.0	66.7	54.0	46.5	33.45	28.35	12.62



(Note) All above information shall be changed without prior notice, Shimastu reserves the right to explain and update the latest information.