

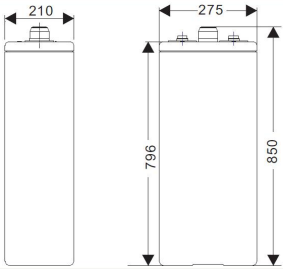
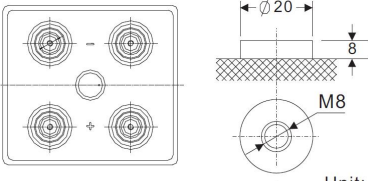


OPzS1500 Tubular Battery



PHYSICAL SPECIFICATION

Nominal Voltage		2V
Nominal Capacity (10HR)		1500Ah
Dimension	Length	275±2mm (10.83 inches)
	Width	210±2mm (8.27 inches)
	Container Height	796±2mm (31.34 inches)
	Total Height	850±2mm (33.46 inches)
Weight		Approx. 112 Kg (246.8lbs)
Standard Terminal		Bolt-and-nuts terminal Bolt Type: M8

Unit: mm



ELECTRICAL SPECIFICATION

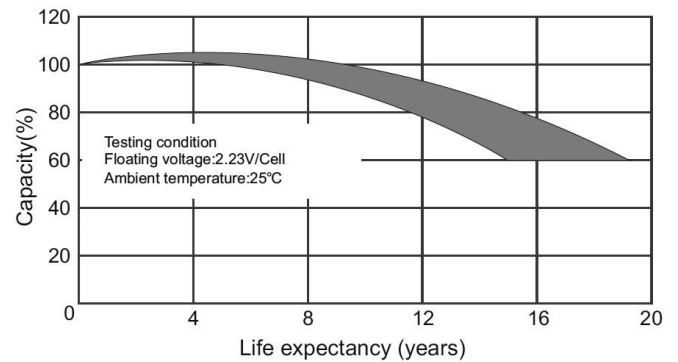
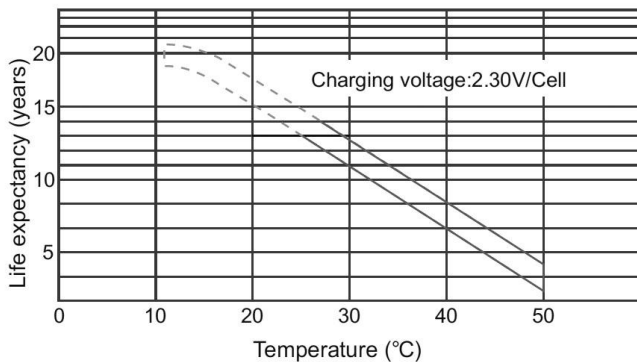
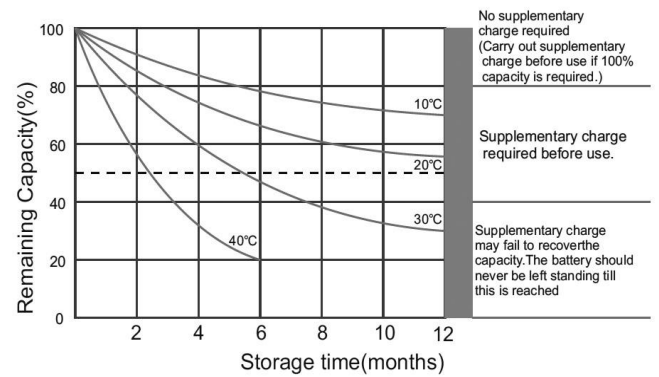
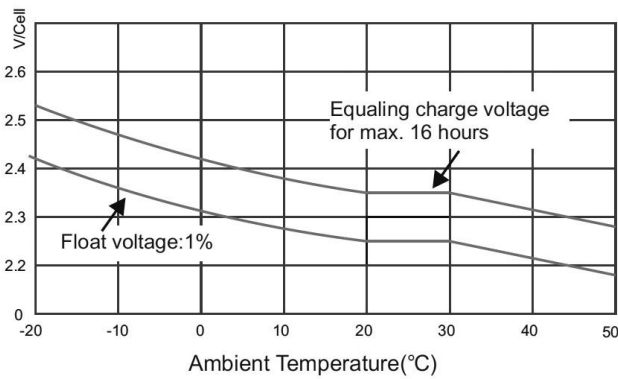
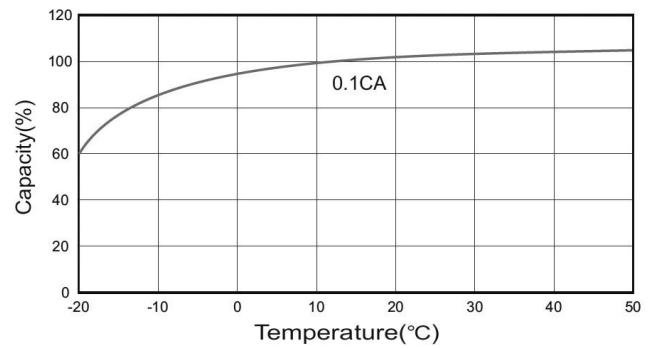
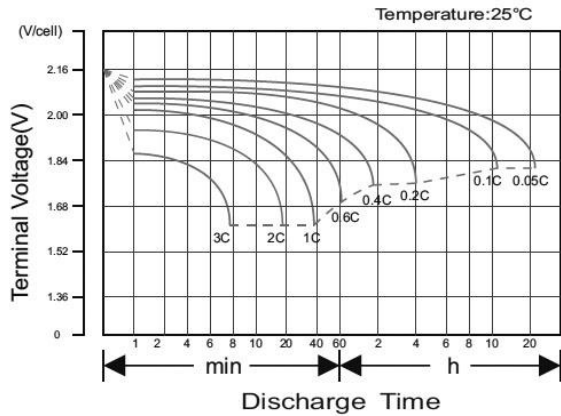
Characteristics			Main Advantages
Capacity	20 hour rate (93.08A to 1.80V/cell) 10 hour rate (158.4A to 1.80V/cell) 5 hour rate (270.6A to 1.75V/cell) 1hour rate (908.8A to 1.60V/cell)	1861.6Ah 1584.0Ah 1353.0Ah 908.8Ah	<ul style="list-style-type: none"> >> adopt tubular positive plate >> longest lifespan under deep discharge >> Strong temperature resistance performance >> Better charge reception capability >> 20 years design life
Operating Temp. Range	Discharge : -20℃~55℃ Charge : -10℃~45℃ Storage : -15℃~45℃		
Max. Discharge Current	7500A(5sec)		
Short Circuit Current	12500A		
Designed life	20 years (floating) at 25℃(77 °F)		
Internal Resistance	Full charged battery (25℃,77 °F) 0.20mΩ		
Constant Voltage Charge	Cycle	Initial Charging Current less than ≤375A Voltage: 2.35~2.40V at 25℃ (77 °F) Temperature Coefficient -5mV/℃	
	Standby	No limit on Initial Charging Current Voltage: 2.23V at 25℃ (77 °F) Temperature Coefficient -3mV/℃	

CONSTANT CURRENT DISCHARGE RATING A@25℃

F.V/TIME	30min	1h	2h	3h	4h	5h	8h	10h	24h
1.60V	1264	865	539	389	310	267	191.3	159.2	70.80
1.65V	1222	845	529	383	307	264	189.9	158.3	70.78
1.70V	1171	820	516	377	303	261	187.7	157.5	70.05
1.75V	1127	796	503	368	297	256	184.2	155.3	68.85
1.80V	1031	758	484	361	291	250	179.6	150.5	67.20
1.85V	915	704	458	349	282	242	174.5	148.5	65.10

CONSTANT POWER DISCHARGE RATING WATT PER CELL@25℃

F.V/TIME	30min	1h	2h	3h	4h	5h	8h	10h	24h
1.60V	2304	1595	996	720	575	495	355.7	295.8	132.15
1.65V	2249	1560	975	710	569	491	353.0	294.6	131.85
1.70V	2160	1515	954	701	563	483	348.3	293.0	130.35
1.75V	2085	1479	935	686	554	477	343.7	290.3	129.30
1.80V	1925	1427	912	681	551	474	341.0	285.2	127.65
1.85V	1740	1335	873	668	540	465	334.8	283.8	126.15



(Note) All above information shall be changed without prior notice, Shimastu reserves the right to explain and update the latest information.